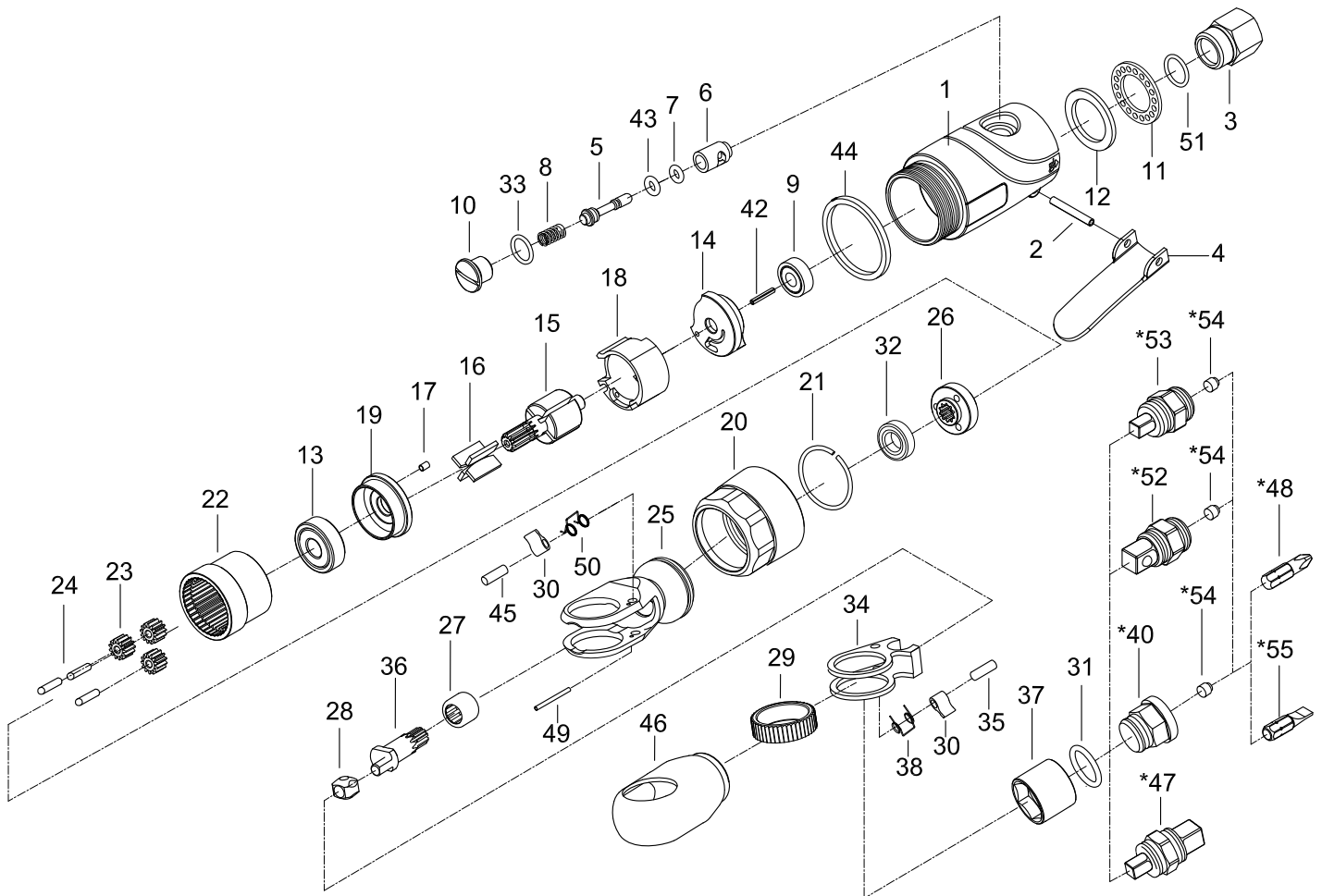


AIR RATCHET WRENCH



Index No.	Parts No.	Description	Index No.	Parts No.	Description
1	32-301501	Housing	28	32-301231	Drive Bushing
2	50102-12	Spring Pin (3*20L)	29	32-301622	Ratchet Ring
3	32-301503	Air Inlet	30	32-301637	Ratchet Pawl (2)
4	32-301504	Throttle lever	31	72009	O-Ring (15.7*1.7)
5	32-301505	Valve Stem	32	0689ZZ	Bearing (689ZZ)
6	32-301506	Valve Bushing	33	40333	O-Ring (8*2)
7	OR00200100	O-Ring (2*1)	34	32-301632	Yoke
8	32-301508	Spring	35	PN04001108	Pin (4*11.8L)
9	052213	Ball Bearing (696ZZ)	36	32-301631	Crank Shaft
10	32-301510	Throttle Valve Plug	37	32-301639	Socket
11	32-301511	Exhaust Diffuser	38	32-301633	Torsion Spring
12	32-301512	Damping Material	*40	32-301641	Bit Seat
13	030120	Ball Bearing (608ZZ)	42	SP02001200	Spring Pin (2*12L)
14	32-301514	Rear End Plate	43	30107	O-Ring (3.8*1.9)
15	32-301515	Rotor	44	32-301555	Rubber Ring
16	32-301516	Vane(4)	45	805111430000	Pin (4*17.8L)
17	70117-13	Spring Pin (2.5*5L)	46	32-301653	Rubber Hat
18	32-301518	Cylinder	*47	32-301640	Square Anvil (3/8" & 1/4")
19	32-301519	Front End Plate	*48	32-301620	Bit
20	32-301626	Clamp Nut	49	SP01061800	Spring Pin (1.6*18L)
21	32-301629	Retainer Ring	50	32-301635	Torsion Spring
22	32-301521	Internal Gear	51	OR01104103	O-Ring (11.4*1.25)
23	32-301523	Planet Gear (3)	*52	32-301642	Square Anvil (3/8")
24	PN03051208	Pin (3) (3.5*12.8L)	*53	32-301643	Square Anvil (1/4")
25	32-301628	Ratchet Housing	*54	32-301659	Column Magnet(3)
26	32-301627	Idler Gear Plate	*55	32-301621	Bit
27	0HK0910	Needle Bearing (HK0910)			

*Optional parts

32-3016-0001